



**Martin Bros.**  
DISTRIBUTING CO INC

# Proposal

02/09/2024

To:  
722955

Project:  
CLARINDA MIDDLE SCHOOL  
722955  
305 E GLENN MILLER DR  
CLARINDA, IA 51632

From:  
Martin Bros. Distributing  
Ben Brown  
406 Viking Road  
Cedar Falls, IA 50613  
319-266-1775

**\*\*Pricing may change 3/1/2024 with manufacturer increases, items purchased 3/1/2024 or after will need to be updated to reflect current manufacturer pricing\*\***

**Quoted pricing is subject to change due to historic increases in parts, materials and labor shortages. This also includes freight and transportation charges.**

**Increases will be passed along as we receive them from our vendors without notice.**

**If total quote/estimate is over \$5,000, a down payment of 50% may be required prior to placing the order. A down payment invoice can be created upon request. All additional payments will be due within terms noted on invoice. If you have any questions regarding payment, please reach out to our credit department to discuss further. Deb Kroeze (319) 553-0456 or Michelle Even (319) 859-9841**

Equipment will be delivered by common carrier. Unloading, un-crating, inspected for damage before signing bill of lading and installation by owner. Martin Bros can not be held responsible for freight damage not duly noted on the bill of lading. Installation quote available upon request.

Item	Qty	Description	Sell	Sell Total
------	-----	-------------	------	------------

1 1 ea **CONVECTION STEAMER, COUNTERTOP** \$11,683.98 \$11,683.98



Cleveland Range Model No. 21CET16  
 Steamcraft® Ultra 5 Convection Steamer, electric, countertop, 1 compartment, (5) 12 x 20 x 2-1/2" pans/compartment capacity, easyTimer 90-minute timer with dial and LED digital readout in minutes and seconds, includes SureCook load compensating thermostat, manual cooking mode and descale indicator, left-hand hinged door, controls on right, automatic water level and generator drain, steam shut-off switch, stainless steel construction, 16 kW

- 1 ea 1-year parts & labor warranty, standard
- 1 ea Extended warranty, not to exceed 24 months from date of installation (for K-12 schools only)
- 1 ea 5 year pro-rated parts warranty on boilers & steam generators
- 1 ea 3 year Convection Steamer Door Warranty, standard
- 1 ea Performance start-up included at customer request after equipment is installed (Free Water Quality Check included) (contact Cleveland Sales Representative for details)
- 1 ea (VOS1) 208v/60/3-ph, 45.9 amps, 3-wire, standard

Freight: \$161.20 \$161.20  
**ITEM TOTAL: \$11,845.18**

Subtotal \$11,845.18  
 Total \$11,845.18

**Manufacturer Summary**

Mfr	FOB	ZIP	Class	Weight	Good Until	Terms	Notes
Cleveland	Covington	38019	85	248			3 piece free freight combine with Convotherm
Cleveland	Cleveland	44110-2587	85				3 piece free freight combine with Convotherm

Price does not include Sales Tax unless shown in total. Applicable sales tax will be charged when the invoice for the equipment is printed.

FREIGHT IS ONLY AN ESTIMATE.

Thumbnail pictures are representatives and may not show equipment as proposed.

This is a special order item. Special order items are non-returnable.

Acceptance: \_\_\_\_\_ Date: \_\_\_\_\_

Printed Name: \_\_\_\_\_

Project Grand Total: \$11,845.18



**Martin Bros.**  
DISTRIBUTING CO INC

# Proposal

02/09/2024

To:  
722955

Project:  
CLARINDA MIDDLE SCHOOL  
722955  
305 E GLENN MILLER DR  
CLARINDA, IA 51632

From:  
Martin Bros. Distributing  
Ben Brown  
406 Viking Road  
Cedar Falls, IA 50613  
319-266-1775

**\*\*Pricing may change 3/1/2024 with manufacturer increases, items purchased 3/1/2024 or after will need to be updated to reflect current manufacturer pricing\*\***

**Quoted pricing is subject to change due to historic increases in parts, materials and labor shortages. This also includes freight and transportation charges. Increases will be passed along as we receive them from our vendors without notice.**

**If total quote/estimate is over \$5,000, a down payment of 50% may be required prior to placing the order. A down payment invoice can be created upon request. All additional payments will be due within terms noted on invoice. If you have any questions regarding payment, please reach out to our credit department to discuss further. Deb Kroeze (319) 553-0456 or Michelle Even (319) 859-9841**

Equipment will be delivered by common carrier. Unloading, un-crating, inspected for damage before signing bill of lading and installation by owner. Martin Bros can not be held responsible for freight damage not duly noted on the bill of lading. Installation quote available upon request.

Item	Qty	Description	Sell	Sell Total
------	-----	-------------	------	------------

- 1      1 ea    **CONVECTION STEAMER, COUNTERTOP**      \$11,683.98      \$11,683.98
- Cleveland Range Model No. 21CET16
- Steamcraft® Ultra 5 Convection Steamer, electric, countertop, 1
- compartment, (5) 12 x 20 x 2-1/2" pans/compartment capacity,
- easyTimer 90-minute timer with dial and LED digital readout in
- minutes and seconds, includes SureCook load compensating
- thermostat, manual cooking mode and descale indicator, left-hand
- hinged door, controls on right, automatic water level and generator
- drain, steam shut-off switch, stainless steel construction, 16 kW
- 1 ea    1-year parts & labor warranty, standard
- 1 ea    Extended warranty, not to exceed 24 months from date of installation
- (for K-12 schools only)
- 1 ea    5 year pro-rated parts warranty on boilers & steam generators
- 1 ea    3 year Convection Steamer Door Warranty, standard
- 1 ea    Performance start-up included at customer request after equipment is
- installed (Free Water Quality Check included) (contact Cleveland Sales
- Representative for details)
- 1 ea    (VOS1) 208v/60/3-ph, 45.9 amps, 3-wire, standard



Freight:      \$161.20      \$161.20  
**ITEM TOTAL:      \$11,845.18**

Subtotal      \$11,845.18  
 Total      \$11,845.18

**Manufacturer Summary**

Mfr	FOB	ZIP	Class	Weight	Good Until	Terms	Notes
Cleveland	Covington	38019	85	248			3 piece free freight combine with Convotherm
Cleveland	Cleveland	44110-2587	85				3 piece free freight combine with Convotherm

Price does not include Sales Tax unless shown in total. Applicable sales tax will be charged when the invoice for the equipment is printed.

FREIGHT IS ONLY AN ESTIMATE.

Thumbnail pictures are representatives and may not show equipment as proposed.

This is a special order item. Special order items are non-returnable.

Acceptance: \_\_\_\_\_ Date: \_\_\_\_\_

Printed Name: \_\_\_\_\_

Project Grand Total: \$11,845.18

# SteamCraft® Ultra 5

COUNTER TYPE DESIGN, PRESSURELESS CONVECTION STEAMER, ELECTRIC STEAM GENERATOR, 16 KW

Project \_\_\_\_\_  
 Item \_\_\_\_\_  
 Quantity \_\_\_\_\_  
 FCSI Section 11400 \_\_\_\_\_  
 Approved \_\_\_\_\_  
 Date \_\_\_\_\_

Steamcraft® Generator Style High Speed Convection Steamers

## Models

- 21-CET-16



Shown with optional Electronic Timer

## Standard Features

- Cooking Capacity for up to five 12" x 20" x 2 1/2" deep Cafeteria Pans.
- Innovative PowerPak Electric Steam Generator: Two Special Stainless Steel Fire Bar Heating Element. Strong 14 Gauge Stainless Steel Construction. Large 5 gallon generator reservoir for faster steam cooking production. Fully insulated rear mounted steam generator.
- Easy Access Cleaning Port: Generator Cleaning Port located on the outside, top of the unit. Not necessary to remove hot panels or pan rack guides.
- Instant Steam Stand By Mode: Hold generator at a steaming temperature. Allows unit to start cooking instantly.
- Durable 14 Gauge, Stainless Steel Construction: For cavity and steam generator.
- One 60 Minute Electro-Mechanical Timer and Switch for manual operation: Audible signal for cooking time completion.
- Main Power On/Off Switch: With Automatic Water Fill.
- Exclusive Steam Cooking Distribution System: Maintenance Free Exclusive Brass Steam Jets produce a high velocity convection steam without fans. Coved Corner design in cooking compartment distributes heat evenly, and is easy to keep clean. Creased top & bottom enhance drainage. Cold water condenser behind drain maintains a dry steam. Fully Insulated cooking compartment for thermal efficiency. Removable Stainless Steel Slide Racks for easy cleaning.
- Automatic Generator Drain: Contains a "Water Jet" Spray Rinse Drain Cleaning Cycle to keep drain clear.
- Exclusive Automatic Remote Probe Type Water Level Control: Separate from the generator for easy access.
- Exclusive "Cool to the Touch" Two-Piece Compartment Door Design: Free floating inner door with reversible gasket provides an air tight seal. Stainless Steel Slam/Latch Door Latch mechanism for reliability.
- Left Hand Door Hinging: Compartment Doors hinged on the left, controls on the right.
- Available in most voltages, three phase only.
- 4" Adjustable Legs

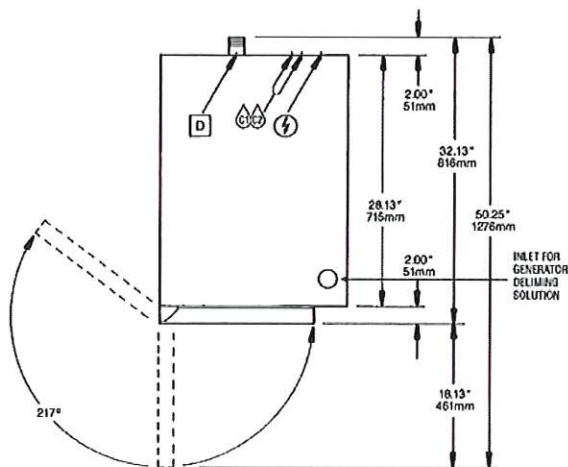
## Short Form Specifications

Shall be CLEVELAND, SteamCraft® Ultra 5, one compartment, Counter-Type Steamer, Model 21-CET-16, \_\_\_ volts, 16.5 KW, \_\_\_ Hz, 3 phase, heavy duty all Stainless Steel construction; rear mounted, insulated Steam Generator with Remote Probe Type Water Level Controls and Automatic Steam Generator Blowdown with "Water Jet" Drain Cleaning feature.

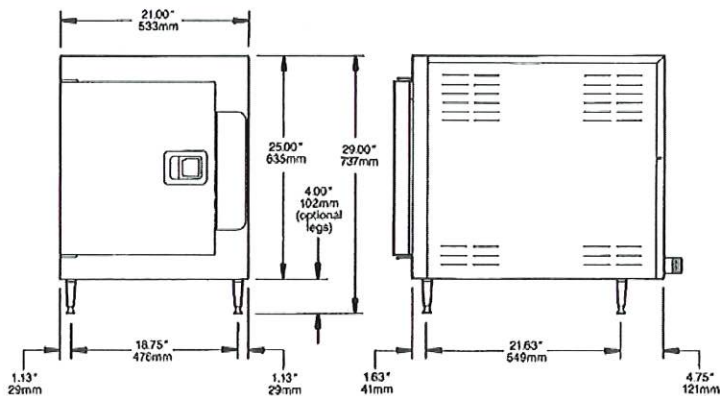
## Options & Accessories

- Right hand Door Hinging, Controls on the Left (DHR)
- Electronic Timer with Compensating Load Feature (ETC)
- 34" (864mm) High Stainless Steel Economy Stand, for one 21-CET-16 (UniStand34)
- POSK Pull-Out Shelf Kit for UniStand (P/N 111724)
- URK Pan Rack Kit UniStand (P/N 111726)
- Equipment Stacking Stand Shelf Type (ES2446)
- Dissolve® Descale Solution, 6 one gallon container w/ quart markings (106174)
- Cafeteria Pans in depths of 1", 2 1/2" and 4"
- Water Filters

KE004046-10

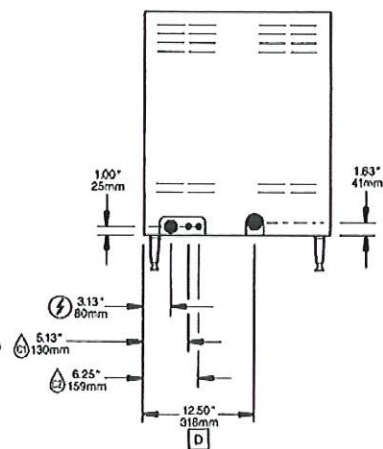


TOP VIEW



FRONT VIEW

RIGHT SIDE VIEW



REAR VIEW

**COMPARTMENT HAS CAPACITY FOR:**

- Five, 12" x 20" x 2 1/2" deep Cafeteria Pans

**WATER QUALITY REQUIREMENTS  
(Boilers, Generators)**

TDS:	50-250 ppm
Hardness:	50 - 200 mg (3 - 12 gpg)
pH value:	7.0 - 8.5
CL (Chloride):	max 50 ppm
Cl2 (free chlorine):	max 0.1 ppm
SiO2 (silica):	max 13 ppm
NH2Cl: (mono-chloramine)	max 0.1 ppm
Total Alkalinity:	50 - 100 ppm

**SHIPPING WEIGHTS  
& DIMENSIONS**

Weight	Width	Depth	Height
248 lbs	30"	35"	36"

ELECTRIC ⚡					WATER 💧		DRAINAGE 🚰		CLEARANCE	
Volts	Watts	Ph	Amps	Wire	Cold water: 35 psi min., 60 psi max.		1" N.P.T. IPS-M Do not connect other units to this drain.		Right - 3", Left - 3", Rear - 3" (12" on control side if adjoining wall or equipment is over 30" high for service access)	
208	16,300	3	45.9	3	Two 3/4" NH-F (Garden Thread) Connections.		Drain line must be vented.		Contact factory for variances to clearances.	
220	13,694	3	36.5	3	Use NSF approved hose.		No PVC pipe for drain.			
240	16,300	3	39.8	3	C1 one for Condenser					
440	13,694	3	18.2	3	C2 one for Steam Generator					
480	16,300	3	19.9	3						
360	14,621	3	23.8	4						
380	16,300	3	25.1	4						
415	16,300	3	23.0	4						

**NOTES:**

Cleveland Range reserves right of design improvement or modification, as warranted.  
 Many regional, state and local codes exist and it is the responsibility of the owner and installer to comply with the codes.  
 Cleveland Range equipment is built to comply with applicable standards for manufacturers. Included among those approval agencies are UL/NSF4.

(NOT TO SCALE)

# SteamCraft® Ultra 5

COUNTER TYPE DESIGN, PRESSURELESS CONVECTION STEAMER, ELECTRIC STEAM GENERATOR, 16 KW

Project \_\_\_\_\_  
 Item \_\_\_\_\_  
 Quantity \_\_\_\_\_  
 FCSI Section 11400 \_\_\_\_\_  
 Approved \_\_\_\_\_  
 Date \_\_\_\_\_

Steamcraft® Generator Style High Speed Convection Steamers

## Models

- 21-CET-16



Shown with optional Electronic Timer

## Standard Features

- Cooking Capacity for up to five 12" x 20" x 2 1/2" deep Cafeteria Pans.
- Innovative PowerPak Electric Steam Generator: Two Special Stainless Steel Fire Bar Heating Element. Strong 14 Gauge Stainless Steel Construction. Large 5 gallon generator reservoir for faster steam cooking production. Fully insulated rear mounted steam generator.
- Easy Access Cleaning Port: Generator Cleaning Port located on the outside, top of the unit. Not necessary to remove hot panels or pan rack guides.
- Instant Steam Stand By Mode: Hold generator at a steaming temperature. Allows unit to start cooking instantly.
- Durable 14 Gauge, Stainless Steel Construction: For cavity and steam generator.
- One 60 Minute Electro-Mechanical Timer and Switch for manual operation: Audible signal for cooking time completion.
- Main Power On/Off Switch: With Automatic Water Fill.
- Exclusive Steam Cooking Distribution System: Maintenance Free Exclusive Brass Steam Jets produce a high velocity convection steam without fans. Coved Corner design in cooking compartment distributes heat evenly, and is easy to keep clean. Creased top & bottom enhance drainage. Cold water condenser behind drain maintains a dry steam. Fully Insulated cooking compartment for thermal efficiency. Removable Stainless Steel Slide Racks for easy cleaning.
- Automatic Generator Drain: Contains a "Water Jet" Spray Rinse Drain Cleaning Cycle to keep drain clear.
- Exclusive Automatic Remote Probe Type Water Level Control: Separate from the generator for easy access.
- Exclusive "Cool to the Touch" Two-Piece Compartment Door Design: Free floating inner door with reversible gasket provides an air tight seal. Stainless Steel Slam/Latch Door Latch mechanism for reliability.
- Left Hand Door Hinging: Compartment Doors hinged on the left, controls on the right.
- Available in most voltages, three phase only.
- 4" Adjustable Legs

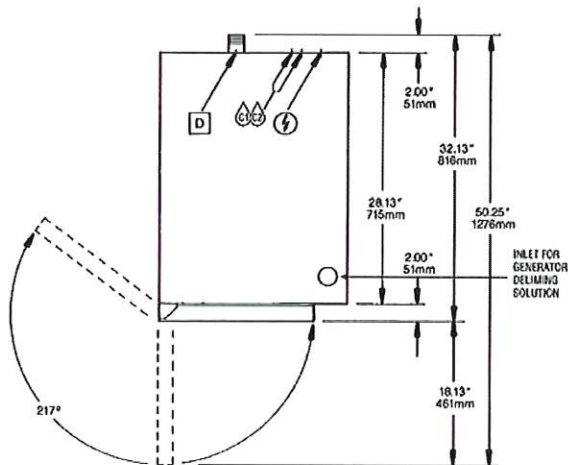
## Short Form Specifications

Shall be CLEVELAND, SteamCraft® Ultra 5, one compartment, Counter-Type Steamer, Model 21-CET-16, \_\_\_ volts, 16.5 KW, \_\_\_ Hz, 3 phase, heavy duty all Stainless Steel construction; rear mounted, insulated Steam Generator with Remote Probe Type Water Level Controls and Automatic Steam Generator Blowdown with "Water Jet" Drain Cleaning feature.

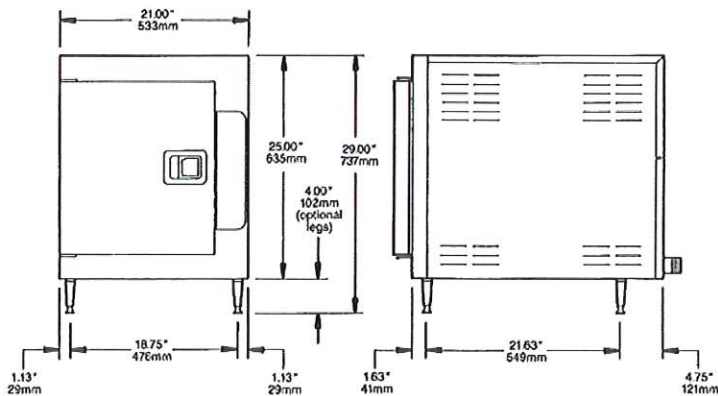
## Options & Accessories

- Right hand Door Hinging, Controls on the Left (DHR)
- Electronic Timer with Compensating Load Feature (ETC)
- 34" (864mm) High Stainless Steel Economy Stand, for one 21-CET-16 (UniStand34)
- POSK Pull-Out Shelf Kit for UniStand (P/N 111724)
- URK Pan Rack Kit UniStand (P/N 111726)
- Equipment Stacking Stand Shelf Type (ES2446)
- Dissolve® Descale Solution, 6 one gallon container w/ quart markings (106174)
- Cafeteria Pans in depths of 1", 2 1/2" and 4"
- Water Filters

KE004046-10

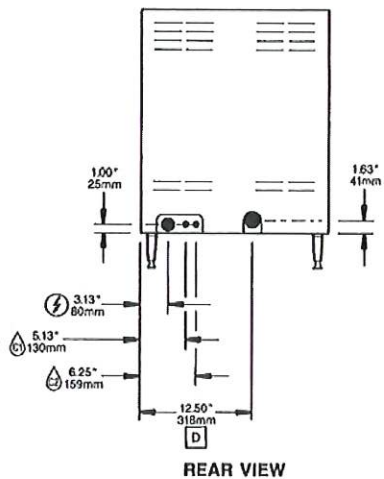


TOP VIEW



FRONT VIEW

RIGHT SIDE VIEW



REAR VIEW

**COMPARTMENT HAS CAPACITY FOR:**

- Five, 12" x 20" x 2 1/2" deep Cafeteria Pans

**WATER QUALITY REQUIREMENTS  
(Boilers, Generators)**

TDS:	50-250 ppm
Hardness:	50 - 200 mg (3 - 12 gpg)
pH value:	7.0 - 8.5
CL (Chloride):	max 50 ppm
Cl2 (free chlorine):	max 0.1 ppm
SiO2 (silica):	max 13 ppm
NH2Cl: (mono-chloramine)	max 0.1 ppm
Total Alkalinity:	50 - 100 ppm

**SHIPPING WEIGHTS  
& DIMENSIONS**

Weight	Width	Depth	Height
248 lbs	30"	35"	36"

ELECTRIC ⚡					WATER 💧		DRAINAGE [D]		CLEARANCE	
Volts	Watts	Ph	Amps	Wire	Cold water: 35 psi min., 60 psi max.		1 1/2" N.P.T. IPS-M		Right - 3", Left - 3", Rear - 3"	
208	16,300	3	45.9	3	Two 3/4" NH-F (Garden Thread) Connections. Use NSF approved hose. C1 one for Condenser C2 one for Steam Generator		Do not connect other units to this drain. Drain line must be vented. No PVC pipe for drain.		(12" on control side if adjoining wall or equipment is over 30" high for service access) Contact factory for variances to clearances.	
220	13,694	3	36.5	3						
240	16,300	3	39.8	3						
440	13,694	3	18.2	3						
480	16,300	3	19.9	3						
360	14,621	3	23.8	4						
380	16,300	3	25.1	4						
415	16,300	3	23.0	4						

**NOTES:**

Cleveland Range reserves right of design improvement or modification, as warranted. Many regional, state and local codes exist and it is the responsibility of the owner and installer to comply with the codes. Cleveland Range equipment is built to comply with applicable standards for manufacturers. Included among those approval agencies are U.L./NSF4.

(NOT TO SCALE)





# Quote

02/12/2024

**Project:**  
54111 Clarinda Community  
Schools, IA

**From:**  
Douglas Equipment  
Savannah Shrader  
301 North St.  
Bluefield , WV 24701-4048  
304-327-0149  
304-327-2909 (Contact)

Job Reference Number: 130408

**\*\*\*PLEASE ADD 3% FOR CREDIT CARD PURCHASES\*\*\***  
**\*\*\*INCLUDES DROP SHIPPING UNLESS NOTED OTHERWISE\*\*\***  
**\*\*\*NET 30 ON CASH OR CHECK PURCHASES\*\*\***  
**\*\*\*DOES NOT INCLUDE STATE SALES TAX WHERE APPLICABLE\*\*\***  
**\*\*\*PLEASE ADD 125.00 IF LIFTGATE IS REQUIRED\*\*\***  
**\*\*\*SHIPPING INCLUDED\*\*\***  
**\*\*\*<OPTIONAL> ITEMS ARE NOT INCLUDED IN THE PRICE ADD THE AMOUNT IN THE LEFT COLUMN FOR ACCURATE PRICING\*\*\***

Item	Qty	Description	Sell	Sell Total
1	1 ea	<b>CONVECTION STEAMER, COUNTERTOP</b> Cleveland Range Model No. 21CET16 Steamcraft® Ultra 5 Convection Steamer, electric, countertop, 1 compartment, (5) 12 x 20 x 2-1/2" pans/compartment capacity, easyTimer 90-minute timer with dial and LED digital readout in minutes and seconds, includes SureCook load compensating thermostat, manual cooking mode and descale indicator, left-hand hinged door, controls on right, automatic water level and generator drain, steam shut-off switch, stainless steel construction, 16 kW	\$9,314.09	\$9,314.09
	1 ea	1-year parts & labor warranty, standard		
	1 ea	5 year pro-rated parts warranty on boilers & steam generators		
	1 ea	3 year Convection Steamer Door Warranty, standard		



Item	Qty	Description	Sell	Sell Total
1 ea		Performance start-up included at customer request after equipment is installed (Free Water Quality Check included) (contact Cleveland Sales Representative for details)		
1 ea		(VOS2) 440-480v/60/3-ph, 18.2-19.9 amps, 3-wire	\$436.83	<Optional>
1 ea		SMDCK Drain Cooling Kit, small, for countertop steamers (requires 115v/60/1 connection) (not for SteamChef™ models) (P/N FK104658)		
<b>Please Verify Voltage Prior to Ordering</b>				
			<b>ITEM TOTAL:</b>	<b>\$9,314.09</b>
			Total	\$9,314.09

- DROP SHIP ONLY.
- NO INSTALLATION REQUESTED; THEREFORE NOT QUOTED.
- PRICING VALID FOR 30 DAYS
- PLEASE ADD 3% FOR CREDIT CARD PURCHASES
- DOES NOT INCLUDE STATE SALES TAX WHERE APPLICABLE
- SHIPPING INCLUDED BASED OFF OF THE QUANTITY AND LOCATION REQUESTED.
- IF ORDER REFLECTS A DIFFERENT QUANTITY OR LOCATION,  
PRICE IS SUBJECT TO CHANGE AT CUSTOMERS EXPENSE.*

Acceptance: \_\_\_\_\_ Date: \_\_\_\_\_

Printed Name: \_\_\_\_\_

Project Grand Total: \$9,314.09



## SteamCraft® Ultra 5

COUNTER TYPE DESIGN, PRESSURELESS CONVECTION  
STEAMER, ELECTRIC STEAM GENERATOR, 16 KW

Project \_\_\_\_\_  
Item \_\_\_\_\_  
Quantity \_\_\_\_\_  
FCSI Section 11400 \_\_\_\_\_  
Approved \_\_\_\_\_  
Date \_\_\_\_\_

Steamcraft® Generator Style High Speed Convection Steamers

### Models

- 21-CET-16



Shown with optional  
Electronic Timer

### Standard Features

- Cooking Capacity for up to five 12" x 20" x 2 1/2" deep Cafeteria Pans.
- Innovative PowerPak Electric Steam Generator: Two Special Stainless Steel Fire Bar Heating Element. Strong 14 Gauge Stainless Steel Construction. Large 5 gallon generator reservoir for faster steam cooking production. Fully insulated rear mounted steam generator.
- Easy Access Cleaning Port: Generator Cleaning Port located on the outside, top of the unit. Not necessary to remove hot panels or pan rack guides.
- Instant Steam Stand By Mode: Hold generator at a steaming temperature. Allows unit to start cooking instantly.
- Durable 14 Gauge, Stainless Steel Construction: For cavity and steam generator.
- One 60 Minute Electro-Mechanical Timer and Switch for manual operation: Audible signal for cooking time completion.
- Main Power On/Off Switch: With Automatic Water Fill.
- Exclusive Steam Cooking Distribution System: Maintenance Free Exclusive Brass Steam Jets produce a high velocity convection steam without fans. Coved Corner design in cooking compartment distributes heat evenly, and is easy to keep clean. Creased top & bottom enhance drainage. Cold water condenser behind drain maintains a dry steam. Fully Insulated cooking compartment for thermal efficiency. Removable Stainless Steel Slide Racks for easy cleaning.
- Automatic Generator Drain: Contains a "Water Jet" Spray Rinse Drain Cleaning Cycle to keep drain clear.
- Exclusive Automatic Remote Probe Type Water Level Control: Separate from the generator for easy access.
- Exclusive "Cool to the Touch" Two-Piece Compartment Door Design: Free floating inner door with reversible gasket provides an air tight seal. Stainless Steel Slam/Latch Door Latch mechanism for reliability.
- Left Hand Door Hinging: Compartment Doors hinged on the left, controls on the right.
- Available in most voltages, three phase only.
- 4" Adjustable Legs

### Short Form Specifications

Shall be CLEVELAND, SteamCraft® Ultra 5, one compartment, Counter-Type Steamer, Model 21-CET-16, \_\_\_ volts, 16.5 KW, \_\_\_ Hz, 3 phase, heavy duty all Stainless Steel construction; rear mounted, insulated Steam Generator with Remote Probe Type Water Level Controls and Automatic Steam Generator Blowdown with "Water Jet" Drain Cleaning feature.

### Options & Accessories

- Right hand Door Hinging, Controls on the Left (DHR)
- Electronic Timer with Compensating Load Feature (ETC)
- 34" (864mm) High Stainless Steel Economy Stand, for one 21-CET-16 (UniStand34)
- POSK Pull-Out Shelf Kit for UniStand (P/N 111724)
- URK Pan Rack Kit UniStand (P/N 111726)
- Equipment Stacking Stand Shelf Type (ES2446)
- Dissolve® Descale Solution, 6 one gallon container w/ quart markings (106174)
- Cafeteria Pans in depths of 1", 2 1/2" and 4"
- Water Filters

KE004046-10

760 Beta Drive, Unit D  
Mayfield Village, Ohio 44143

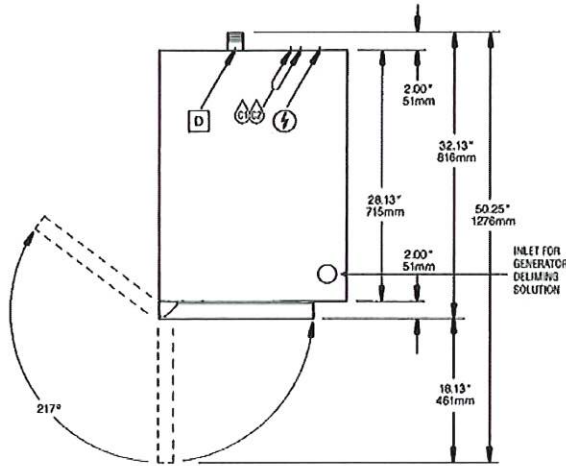
Tel 1.216.481.4900  
Fax 1.216.481.3782  
Email steam@clevelandrange.com

[www.clevelandrange.com](http://www.clevelandrange.com)  
Section 3, Page 3  
5586A 06 / 2021

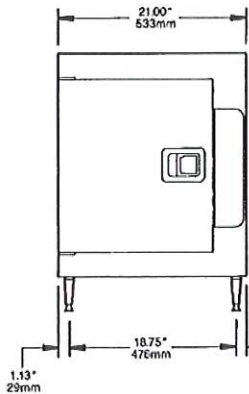




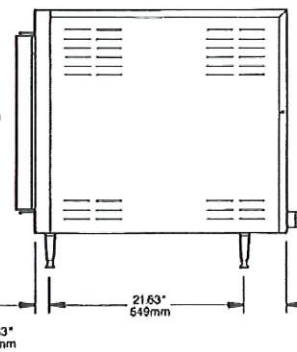
Steamcraft® Generator Style High Speed Convection Steamers



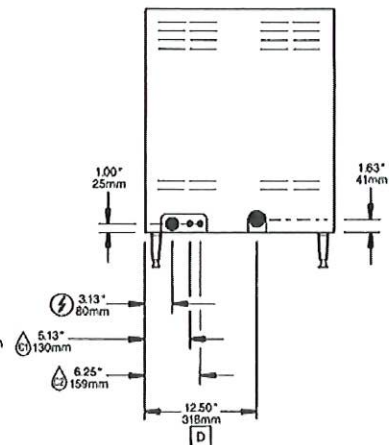
TOP VIEW



FRONT VIEW



RIGHT SIDE VIEW



REAR VIEW

**COMPARTMENT HAS CAPACITY FOR:**  
 • Five, 12" x 20" x 2 1/2" deep Cafeteria Pans

**WATER QUALITY REQUIREMENTS (Boilers, Generators)**

TDS:	50-250 ppm
Hardness:	50 - 200 mm (3 - 12 gpg)
pH value:	7.0 - 8.5
CL (Chloride):	max 50 ppm
Cl2 (free chlorine):	max 0.1 ppm
SiO2 (silica):	max 13 ppm
NH2Cl: (mono-chloramine)	max 0.1 ppm
Total Alkalinity:	50 - 100 ppm

**SHIPPING WEIGHTS & DIMENSIONS**

Weight	Width	Depth	Height
248 lbs	30"	35"	36"

ELECTRIC ⚡					WATER Ⓒ		DRAINAGE Ⓓ		CLEARANCE	
Volts	Watts	Ph	Amps	Wire	Cold water: 35 psi min., 60 psi max.		1 1/2" N.P.T. IPS-M Do not connect other units to this drain. Drain line must be vented. No PVC pipe for drain.		Right - 3'; Left - 3'; Rear - 3' (12" on control side if adjoining wall or equipment is over 30" high for service access) Contact factory for variances to clearances.	
208	16,300	3	45.9	3	Two 3/4" NH-F (Garden Thread) Connections. Use NSF approved hose.					
220	13,694	3	36.5	3	C1 one for Condenser					
240	16,300	3	39.8	3	C2 one for Steam Generator					
440	13,694	3	18.2	3						
480	16,300	3	19.9	3						
360	14,621	3	23.8	4						
380	16,300	3	25.1	4						
415	16,300	3	23.0	4						

**NOTES:**  
 Cleveland Range reserves right of design improvement or modification, as warranted.  
 Many regional, state and local codes exist and it is the responsibility of the owner and installer to comply with the codes.  
 Cleveland Range equipment is built to comply with applicable standards for manufacturers. Included among those approval agencies are UL/NSF#4.

(NOT TO SCALE)

760 Beta Drive, Unit D  
 Mayfield Village, Ohio 44143

Tel 1.216.481.4900  
 Fax 1.216.481.3782  
 Email steam@clevelandrange.com

www.clevelandrange.com  
 Section 3, Page 4  
 06 / 2021

